



ZANOTTI Spa

Via M.L. King, 30
46020 - Pegognaga (MN) - ITALY
Tel. +39 0376 5551
Fax +39 0376 536554
info@zanotti.com

Technical specifications

Version 2.2

Model:

Class:

BGM220DC11XA71

Uniblock GM

Technical data

Characteristics	M.U.	Value
Working temperature	°C	-15 / -25
Starting mode		Direct
Voltage	Volt-Ph-Hz	220/1/60
Rated input	kW*	1,29
Rated input	Amp*	5,86
LRA	Amp	58,3
Run	Amp	6,8
Refrigerant		R452A
	GWP	2140
Defrost		Hot gas
Mass	Kg	80

Compressor

Type		Hermetic
Nominal power	HP	2

Condenser

Air flow	m ³ /h	1200
----------	-------------------	------

Evaporator

Air flow	m ³ /h	1200
Air throw	m**	4

PED Category		0
--------------	--	---



Power data

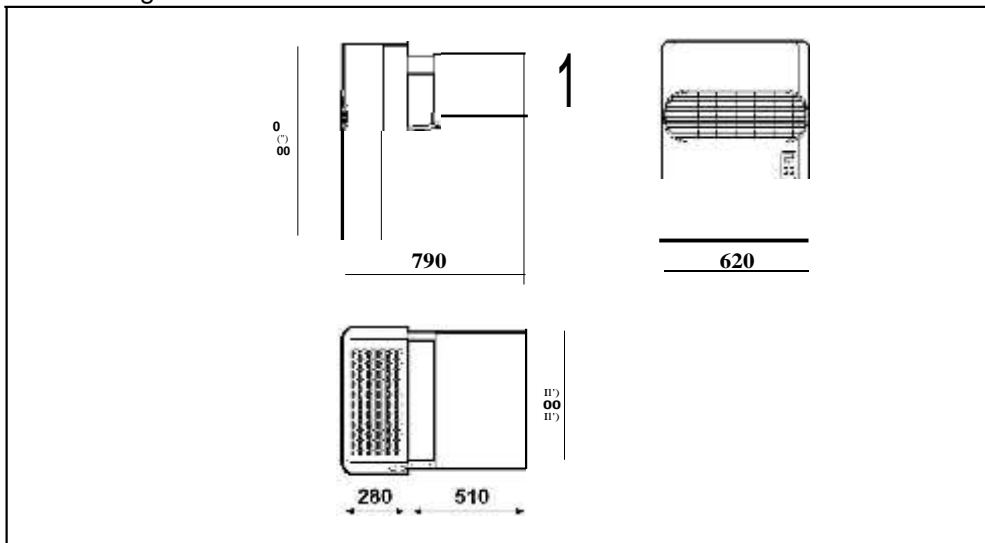
Tc °C	Ta °C	P watt	P Kcal/h	V120 m ³	V100 m ³	V80 m ³	
	20	2235	1922	23	20	18	
	25	2104	1809	21	19	16	
	-15	30	1970	1694	18	16	14
	35	1834	1577	17	15	13	
	40	1697	1459	15	13	12	
	45	1559	1341	13	12	10	
	20	1923	1654	17	15	13	
	25	1804	1551	17	15	13	
	-20	30	1688	1452	15	13	12
	35	1567	1348	13	12	10	
	40	1432	1232	12	11	9,4	
	45	1275	1096	9,5	8,5	7,4	
	20	1603	1379	14	12	11	
	25	1481	1274	12	11	9,4	
	-25	30	1361	1170	11	9,8	8,6
	35	1246	1072	9,2	8,2	7,2	
	40	1143	983	7,9	7	6,2	
	45	1057	909	7	6,2	5,5	

* When normally running: -20 ÷ +30°C

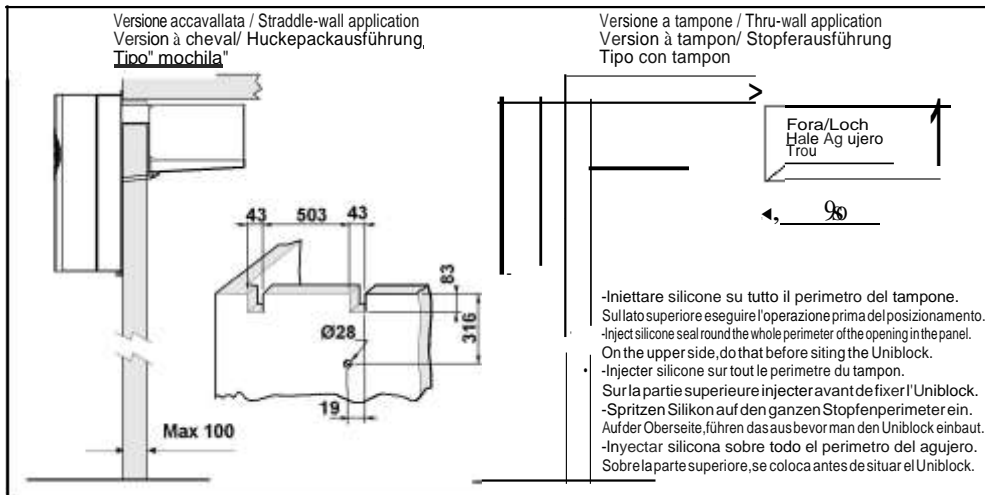
** Use air throw as a base. Air throw is affected by many factors such as height of room, product storage, location of evaporator, etc.

Tc: Coldroom temp. - Ta: External temp.

P: Refrigerant capacity - V: Recommended cold-room volume



Schema di montaggio - Mounting scheme - Schema de montage
Montageschema - Esquema de montaje



- Iniettare silicone su tutto il perimetro del tampono. Sullato superiore eseguire l'operazione prima del posizionamento.
- Inject silicone seal round the whole perimeter of the opening in the panel. On the upper side, do that before siting the Uniblock.
- Injecter silicone sur tout le perimetre du tampon. Sur la partie superieure injecter avant de fixer l'Uniblock.
- Spritzen Silikon auf den ganzen Stopfenperimeter ein. Auf der Oberseite, führen das aus bevor man den Uniblock einbaut.
- Injectar silicona sobre todo el perimetro del agujero. Sobre la parte superior, se coloca antes de situar el Uniblock.



- * Raccomandazioni in sede di installazione e per il controllo fornite sui manuale di installazione
- * To be advised at time of order for factory installation and operating instructions
- * Recommendations au moments d'installations et pour le contrôle fournis sur le manuel d'installation
- * Empfehlungen für die Installationsphase und zur Kontrolle, die im Handbuch zur Installation enthalten sind
- * Por cuanto respecta a recomendaciones de instalacièn y contraì ver manual de instalacièn

Massa e misure imballi - Packing mass and dimensions - Masse et dimensions emballages
Verpackungsmasse und-abmessungen - Masa y medidas del embalaje

