



ZANOTTI Spa
 Via M.L. King, 30
 46020 - Pegognaga (MN) - ITALY
 Tel. +39 0376 5551
 Fax +39 0376 536554
 info@zanotti.com

Technical specifications

Version 2.2

Model:

Class:

BSB220DC11XX71

Uniblock SB

Technical data

Characteristics	M.U.	Value
Working temperature	°C	-15 / -25
Starting mode		Direct
Voltage	Volt-Ph-Hz	220/1/60
Rated input	kW*	1,37
Rated input	Amp*	6,23
LRA	Amp	56,6
Run AMP	Amp	7,2
Refrigerant		R452A
	GWP	2140
Defrost		Hot gas
Mass	Kg	87

Compressor

Type	Hermetic	
Nominal power	HP	2

Condenser

Air flow	m ³ /h	1400
----------	-------------------	------

Evaporator

Air flow	m ³ /h	1100
Air throw	m**	4

PED Category	0
--------------	---



Power data

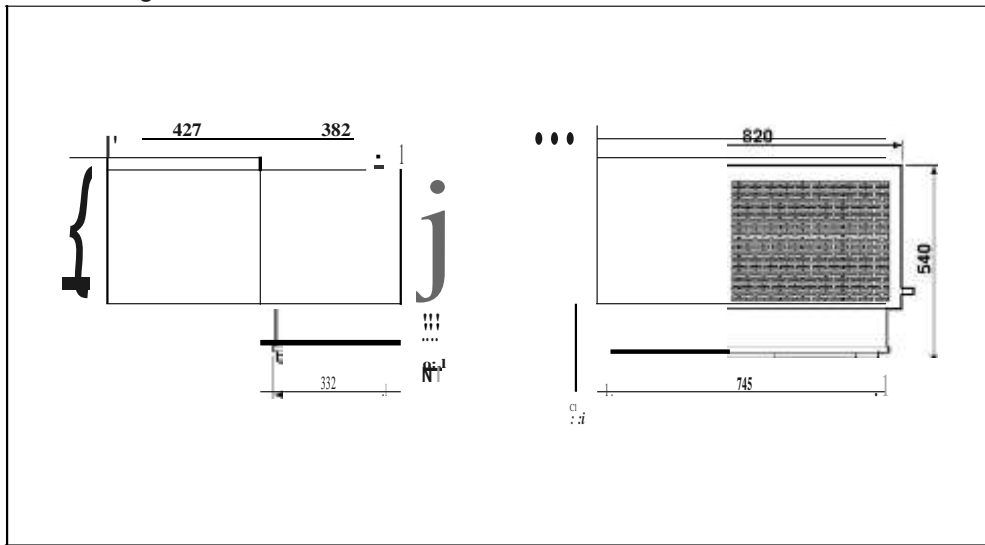
Tc °C	Ta °C	P watt	P Kcal/h	V120 m ³	V100 m ³	V80 m ³	
	20	2265	1948	20	18	16	
	25	2147	1846	18	16	14	
	-15	30	2009	1728	17	15	13
		35	1861	1600	15	13	12
		40	1709	1470	13	12	10
	45	1563	1344	11	9,8	8,6	
	20	1944	1672	16	14	12	
	25	1825	1570	14	12	11	
	-20	30	1699	1461	12	11	9,4
		35	1569	1349	11	9,8	8,6
40		1437	1236	8,9	7,9	6,9	
	45	1306	1123	7,3	6,5	5,7	
	20	1647	1416	12	11	9,4	
	25	1521	1308	10	8,9	7,8	
	-25	30	1395	1200	8,5	7,6	6,6
		35	1277	1098	7	6,2	5,5
40		1169	1005	5,8	5,2	4,5	
	45	1078	927	4,8	4,3	3,7	

* When normally running: -20 ÷ +30°C

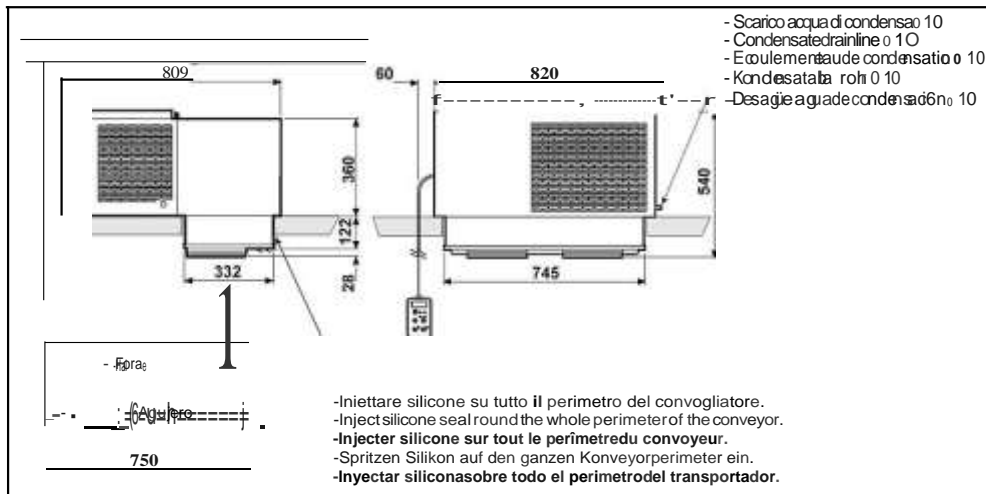
** Use air throw as a base. Air throw is affected by many factors such as height of room, product storage, location of evaporator, etc.

Tc: Coldroom temp. - Ta: External temp.

P: Refrigerant capacity - V: Recommended cold-room volume



Schema di montaggio - Mounting scheme - Schema de montage
Montageschema - Esquema de montaje



- .. Raccomandazioni in sede di installazione e per il controllo fomite sui manuale di installazione
- To be advised at time of order for factory installation and operating instructions
 - Recommendations au moments d'installations et pour le contrôle fournis sur le manuel d'installation
 - Empfehlungen für die Installationsphase und zur Kontrolle, die im Handbuch zur Installation enthalten sind
 - Por cuanto respecta a recomendaciones de instalacion y contrai ver manual de instalaci6n

Massa e misure imballi - Packing mass and dimensions - Masse et dimension emballages
Verpackungsmasse und abmessungen - Masa y medidas de embalaje

