



ZANOTTI Spa

Via M.L. King, 30
46020 - Pegognaga (MN) - ITALY
Tel. +39 0376 5551
Fax +39 0376 536554
info@zanotti.com

Technical specifications

Version 2.2

Model:

Class:

MGM110DC11XA71

Uniblock GM

Technical data

Characteristics	M.U.	Value
Working temperature	°C	+10 / -5
Starting mode		Direct
Voltage	Volt-Ph-Hz	220/1/60
Rated input	kW*	1,13
Rated input	Amp*	5,14
LRA	Amp	38
Run Current	Amp	5,8
Refrigerant		R452A
	GWP	2140
Defrost		Hot gas
Mass	Kg	64

Compressor

Type	Hermetic	
Nominal power	HP	1

Condenser

Air flow	m ³ /h	600
----------	-------------------	-----

Evaporator

Air flow	m ³ /h	600
Air throw	m ^{**}	4

PED Category	0	
--------------	---	--



Power data

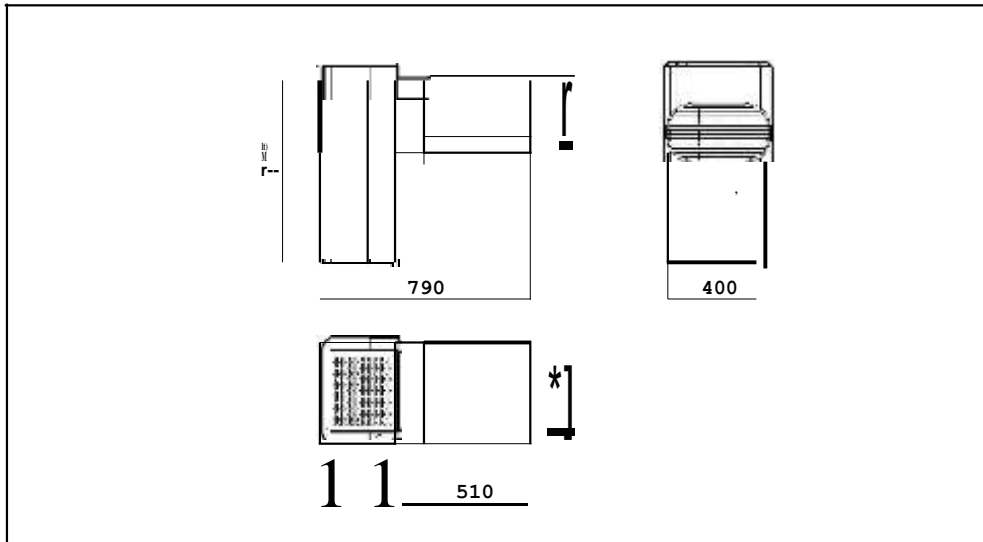
Tc °C	Ta °C	P watt	P Kcal/h	V100 m ³	V80 m ³	V60 m ³
10	20	2101	1807	20	18	17
	25	2000	1720	19	17	16
	30	1901	1635	17	15	14
	35	1801	1549	17	15	14
	40	1701	1463	16	15	13
5	45	1599	1375	14	13	12
	20	1877	1614	18	16	15
	25	1787	1537	17	15	14
	30	1697	1459	16	15	13
	35	1606	1381	14	13	12
0	40	1514	1302	13	12	11
	45	1421	1222	12	11	10
	20	1669	1435	15	14	12
	25	1590	1367	14	13	12
	30	1510	1299	13	12	11
-5	35	1431	1231	12	11	10
	40	1352	1163	11	10	9,1
	45	1271	1093	10	9,1	8,3
	20	1456	1252	13	12	11
	25	1382	1189	12	11	10
-5	30	1309	1126	11	10	9,1
	35	1237	1064	10	9,1	8,3
	40	1164	1001	9,2	8,4	7,6
	45	1092	939	8,3	7,6	6,9

* When normally running: 0 ÷ +30°C

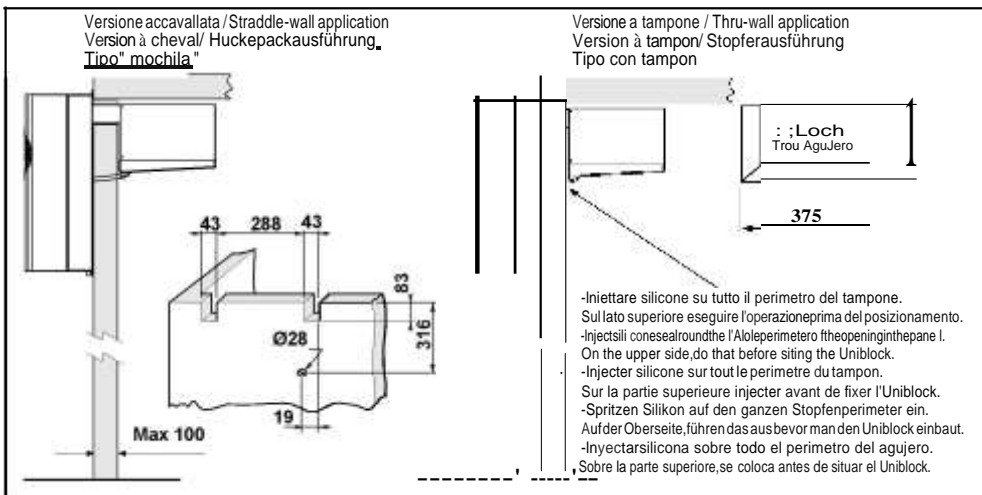
** Use air throw as a base. Air throw is affected by many factors such as height of room, product storage, location of evaporator, etc.

Tc: Coldroom temp. - Ta: External temp.

P: Refrigerant capacity - V: Recommended cold-room volume



Schema di montaggio - Mounting scheme - Schema de montage
Montageschema - Esquema de montaje



*Raccomandazioni in sede di installazione e per il controllo fornite sui manuale di installazione

* To be advised at time of order for factory installation and operating instructions

* Recommendations au moments d'installations et pour le contrôle fournis sur le manuel d'installation

* Empfehlungen für die Installationsphase und zur Kontrolle, die im Handbuch zur Installation enthalten sind

* Por cuanto respecta a recomendaciones de instalacièn y contraì ver manual de instalaciòn

Massa e misure imballi - Packing mass and dimensions - Masse et dimensions emballages
Verpackungsmasse und-abmessungen - Masa y medidas del embalaje

